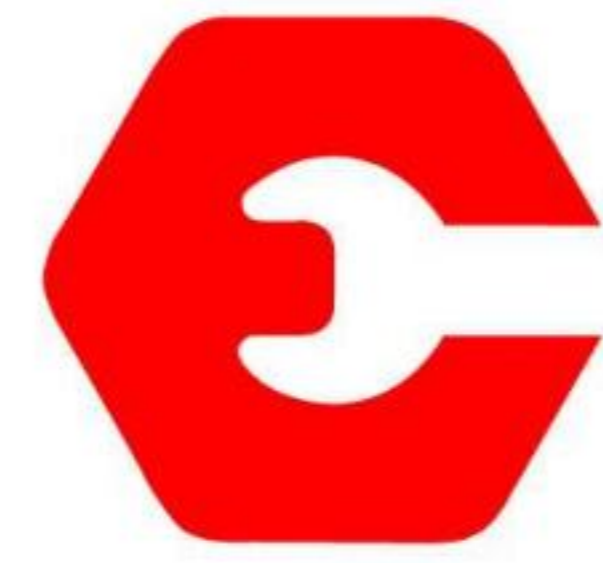


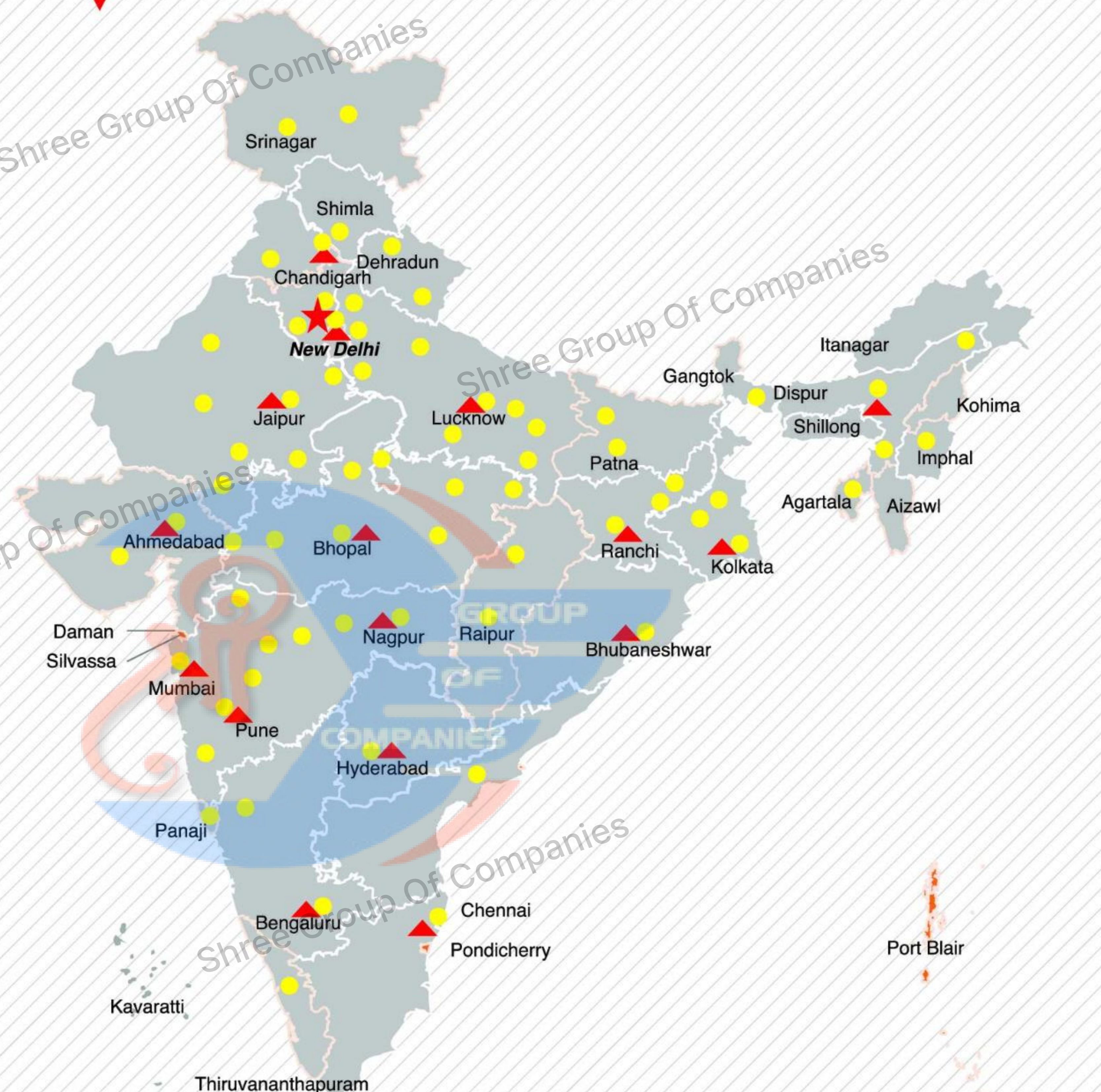
TRX 2319



ESCORTS CONSTRUCTION EQUIPMENT



OUR REACH



★ Head Office | ▲ 18 Business Center | ● 73 Dealers & 250+ branches | ■ PAN INDIA - 800+ Network to support as Service and Spares



Toll Free No.:
1800-180-4488
(Timings: 9.30 am - 6.00 pm, Monday to Friday)

Escorts Construction Equipment: Plot No. 219, Sector- 58, Ballabhgarh- 121 004, Faridabad, Haryana (INDIA) Tel.: 0129-2306574/2306598/2306571 Fax: 0129-2306572 Website: www.escortsgroup.com

e-mail: ece.helpline@escortsgroup.com

Contact : 9300723311

•The information contained in this leaflet is intended to be of a general nature only. •We reserve the right to changed specifications without notice. • All Dimensions and weights are variable within +/-5%.

Authorised Dealer

(Accessories as shown in the picture may not be the part of standard fitment and are subject to change without prior notice.)

MKT/21-1/TRX - 2319

TRX 2319



Capacity:
23 T



Boom Height
(with fly jib)
22.0 M



Equipment
Monitoring System
EMS



Creep Speed
1.3 kmph



Stability
Better

Contact : 9300723311

SPECIFICATIONS

Contact : 9300723311

RATED CAPACITY	Capacity 23T @ 1.5 m radius 0.9T @ 16.6 m radius
ENGINE (BS IV)	Volvo - Eicher make CEV BS IV Diesel Engine, Model E494TCI - High Pressure Common Rail System (HPCR) Technology, Turbo Charged Water Cooled, ECU Control Engine Management System, Developing 101 Kw/137HP @ 2200 RPM or Equivalent Engine.
TRANSMISSION & CLUTCH (HYDRAULIC)	Drive 2 Wheel Drive Type Synchromesh gear box with auxilliary gear box Travel Speeds Speed 12 forward and 2 reverse 46 kmph (unladen) Clutch (Hydraulic) Single, Dry type friction clutch plate Gradeability 35% unladen
STEERING	Type Articulated power steering, through steering wheel Articulation Up to 35° on either side Turning Radius 8.5 m approx
BRAKES	Service Rear Wheel Air operated brakes on rear axle. Front Wheel Pneumatically assisted hydraulic brakes. Parking Rear Wheel Spring loaded brake, Air-released on rear axle. Front Wheel Pneumatically assisted Spring loaded, fail safe hydraulic actuated brakes on front axle.
TYRES	Front 12.00 X 24 - 20 PR (Four nos.) Rear 17.5 X 25 - 20 PR (Two nos.)
TRACK	Front 2150 mm (Center of twin wheels) Rear 2000 mm (Center of wheel) Wheel Base 4800 mm
AXELS	Front Fabricated with front frame Rear Drive axle, mounted on semi elliptical springs
BOOM	Telescoping 4 parts boom 3 parts hydraulically powered & fully synchronized. 4 th part power extended & manually pinned for safety (Use 6 falls when mechanical extension is retracted) (Use 4 falls when mechanical extension is extended) Derricking Through double acting jacks

HOIST MECHANISM	Hoist Hydraulic winch. Six/ four falls. Rope dia 13 mm
HYDRAULIC SYSTEM	Tandem vane pump - Craning : 46 CC Steering pump - Steering : 26.4 CC
CONTROL VALVE	- Proportional control valve hydraulically actuated through joy stick 3 spool double acting with a built in relief and auxiliary valves. - 2 spool double acting control valve for outrigger operation.
ELECTRICAL SYSTEM	24V, DC, Negative earth
OPERATING WEIGHT	18770 kg
AXLE LOADING	Rear Axle 10100 kg Front Axle 8670 kg
OVERALL DIMENSIONS	Height 3100 mm Width 2840 mm Length 11450 mm
SAFETY SYSTEM	Safe Load Indicator with Hydraulic cut off Safety Brakes on Hoist Hose Protection Failure Device Rope Compensating Snatch block Equipment Monitoring System Rear view Camera With LCD, Battery cut off Switch
STANDARD ACCESSORIES	All Weather Cabin Mobile Charger Rear View Mirror Turn & Reverse lamp Fly Jib Rhino Hook Tyre Guard
OPTIONAL ACCESSORIES	AC Cabin Fire Extinguisher

NOTES

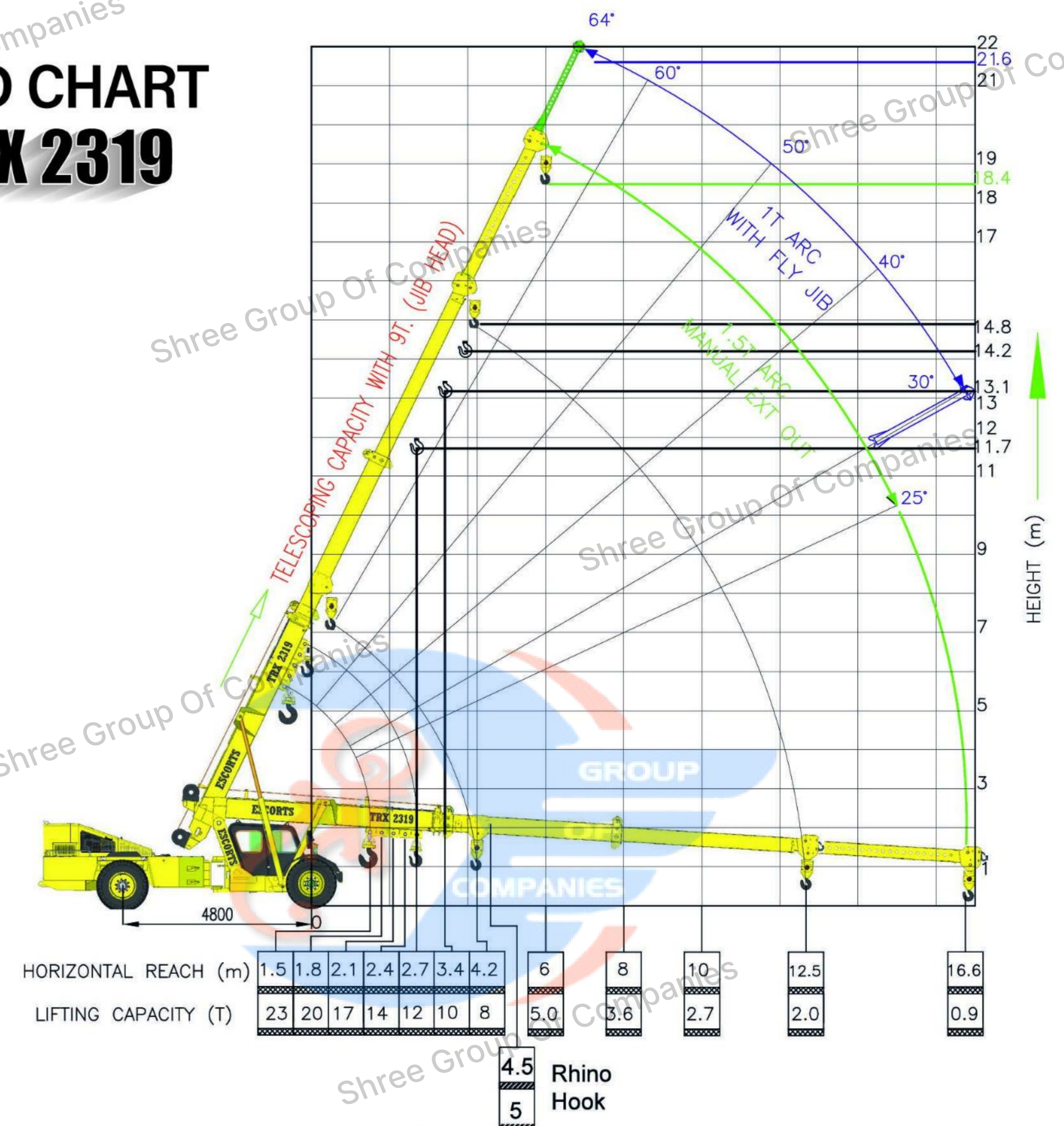
- Maximum Load Lifting Capacity 23T
- Maximum Boom Height 19 m/ 22 m with fly jib
- Maximum Horizontal Reach 16.6 m
- 12T can be lifted to an under hook height of 11.7 m
- 8T can be lifted to an under hook height of 14.8 m
- Telescope capacity (Laden) off snatch block - 9T

- Tyres to be inflated with recommended air pressure
 - Front tyres (Dual) - 7 bar (Air Pressure)
 - Rear tyres (Single) - 7 bar (Air Pressure)
- Travel speed with load (Creep) - Not to exceed 2 kmph
- Weight of chains, slings and tackles to be considered extra

TRX 2319

Contact : 9300723311

LOAD CHART TRX 2319



TRX 2319: DIMENSIONS (Ref.) & AREA OF OPERATION

